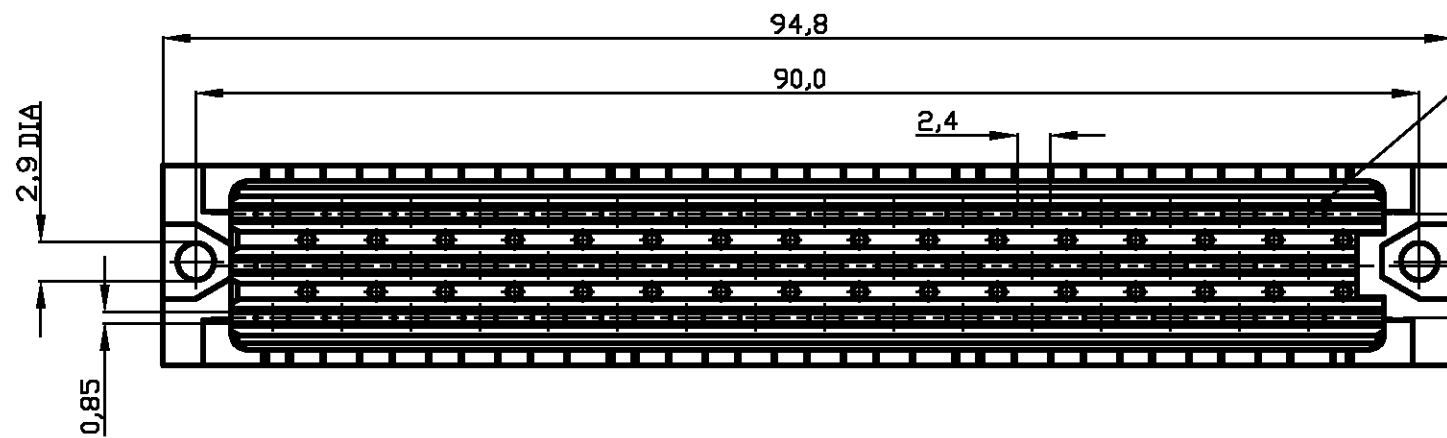
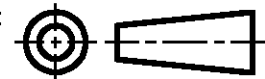


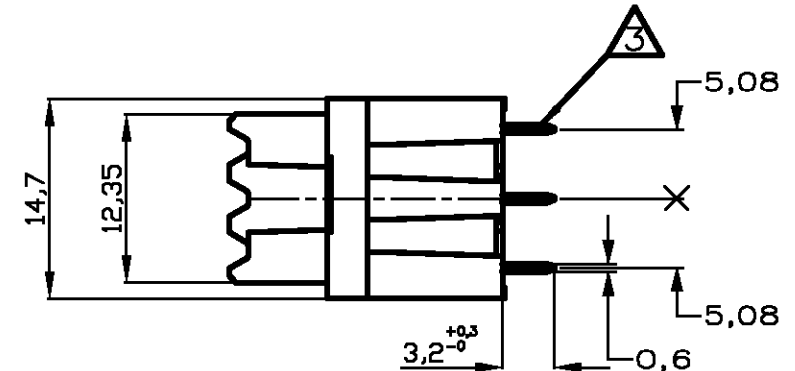
DO NOT SCALE
DIMENSIONS IN mm

METRIC

THIRD ANGLE
PROJECTION

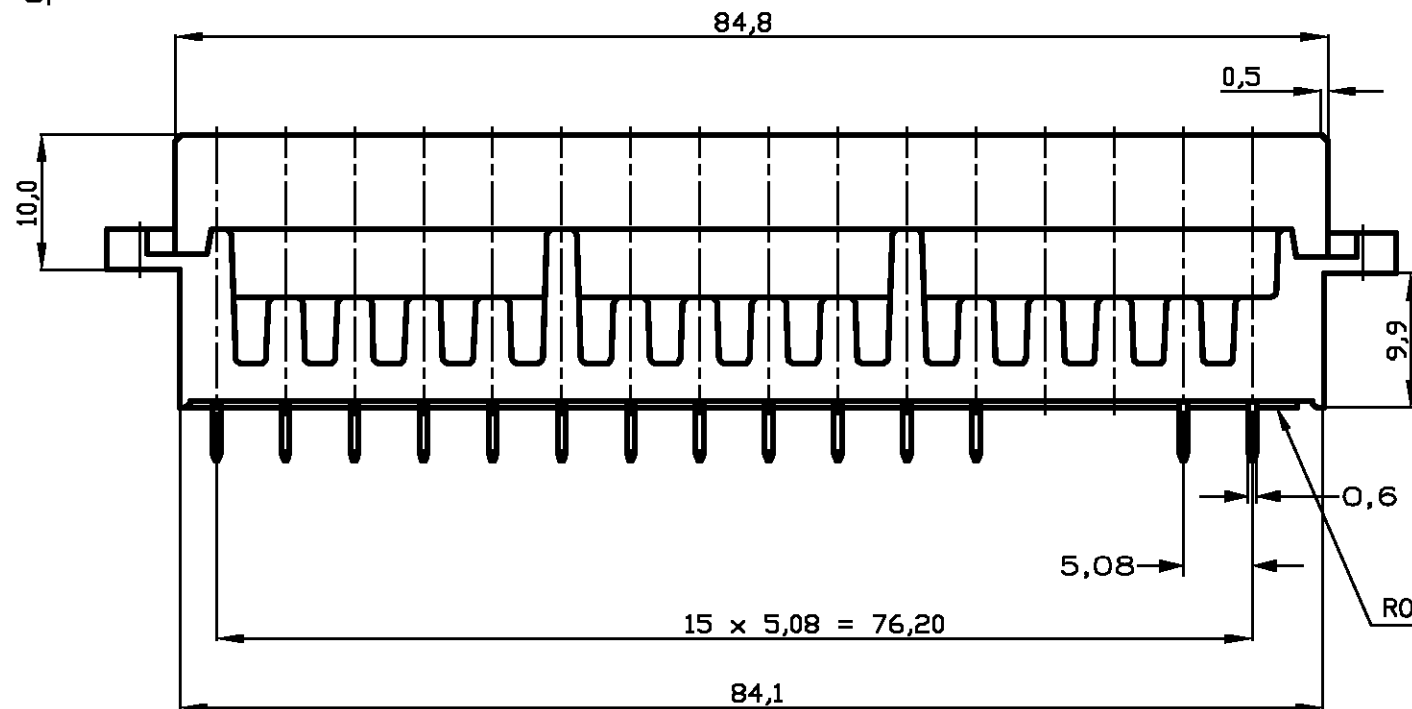


ROW Z
POS. 2



NOTES :

- 1** MATERIAL :
- HOUSING : POLYESTER G.F. COLOUR : GREY.
- CONTACTS : PHOSPHORBRONZE.
- 2** FINISH :
-4 AT CONTACT AREA Au OVER Ni, PERFORMANCE LEVEL II, ACC. IEC 603-2. AT POST AREA Sn/Pb OVER Ni.
- 3** SOLDERPOSTS SUITABLE FOR 0,80^{+0,05} OR 1,0^{+0,1} NOM DIA HOLES.



POS	32	30	28	26	24	22	20	18	16	14	12	10	8	6	4	2	ROW
dbz	X	X	X	X	X	X	X	X	X	X	X	X	o	o	X	X	Z
dbz	X	o	X	o	X	o	X	o	X	o	X	X	o	o	X	X	Z
dbz	X	X	X	X	X	X	X	X	X	X	X	X	o	o	X	X	Z

AN ASTERISK „X” DENOTES A CONTACT.

SEE NOTE 2	SEE NOTE 1	0-1377391-4
FINISH	MATERIAL	PARTNUMBER

CUSTOMER DRAWING FOR REFERENCE ONLY WILL NOT BE UPDATED			
© COPYRIGHT 20 - BY Tyco Electronics EC N.V. ALL INTERNATIONAL RIGHTS RESERVED. AMP PRODUCTS MAY BE COVERED BY U.S. AND FOREIGN AND/OR PATENTS PENDING. THIS DRAWING IS UNPUBLISHED RELEASED FOR PUBLICATION			
B2 SR10-0464-02 FB FB 4 nov '02		Tyco Electronics Oostkamp - Belgium	
B1 SR10-0415-02 BC BC 17 sep '02		NAME	
B SR10-0399-02 BC BC 08 sep '02		37 POS. TYPE F FEMALE SELECTIVE LOADED B.T.B. SOLDER CONNECTOR	
A EH00-1069-00 R.v.H R.F. 15-11-00		DWG.No. C-1377391	
LTR. REVISION RECORD DR. CHK. DATE		REV.LTR. SHEET B2 1 of 1	
DR.: B.COLPAERT	CHK.: B.COLPAERT	APP.: B.COLPAERT	A3
DATE: -	DATE: -	DATE: -	

8 | 7 | 6 | 5 | 4 | 3 | 2 | 1